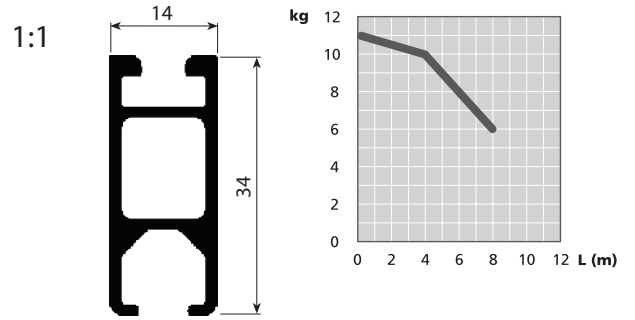


# 9.6 Separè 458 Manual Curtain Track System hand traverse

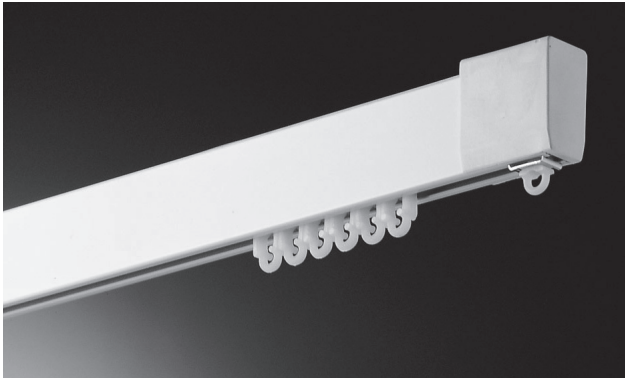
## Technical Information

- 6060 T6 UNI 8278 extruded aluminium alloy track
- Width 14mm; Height 34mm
- Sliding channel: 6mm
- Minimum radius of curvature: 90° curves: 12cm - wide radius curves: 50cm
- Track colours: Anodised Silver; or powdercoated Pearl White
- Self-lubricating acetylic accessories
- Sliding is guaranteed by self-lubricating polyethylene slides or by roller gliders

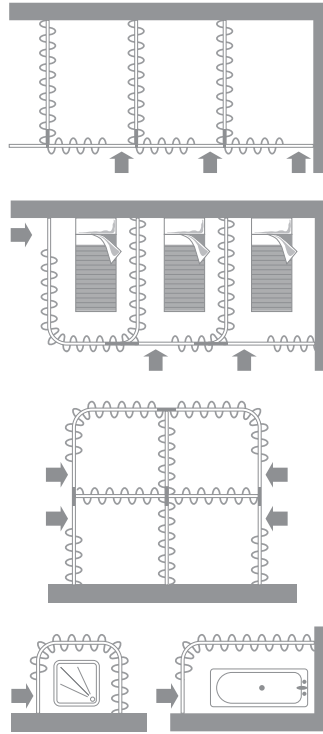
## Dimensions & Limitations



## Componentry



## Partitioning



## Applications



Domestic



Caravan



Offices



Partitioning



90° Curve



Large Radius Curve



Hotels



Bathrooms



Boats

## S.R.D. - Safety Release Device

The benefit of the S.R.D. mechanism is that it is not compromised when the release device is activated. Additionally, the safety device does not require a specialist to reset the system.

